

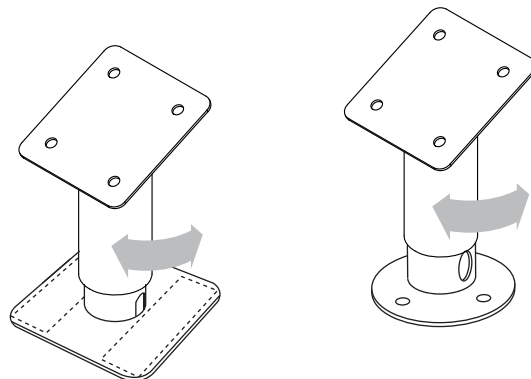


Model **PM572SR**

The PM572SR offers a secure replacement head and clip for the i3070.

The head simply bolts on to the upper pole platform of the PM5200 Series poles.

The replacement head reduces the time and cost to upgrade to the i3070 PIN pad.



PM572SR for Ingenico i3070

Designed for the Ingenico i3070

TO PLACE YOUR ORDER EMAIL: standorder@ingenico.com

www.ingenico.com

Taxes and Nationwide delivery are extra. Prices are subject to change without notice. This product page, including specifications, drawings and any other enclosures are the property of INGENICO CANADA LTD. and supplied for the sole purpose of communicating our submission for your evaluation and consideration. Reproduction is not permitted. All stand and product designs are proprietary to INGENICO CANADA LTD. and subject to Intellectual Design and Copyright protection. Your acceptance, of possession of this submission, signifies your understanding and acceptance of these conditions. COPYRIGHT ©2010